

Traf Ω x

Our latest Power Transformer series is designed for energy, marine, and industrial applications, combining exceptional performance with sustainability and reliability!

Reduced Energy Loss

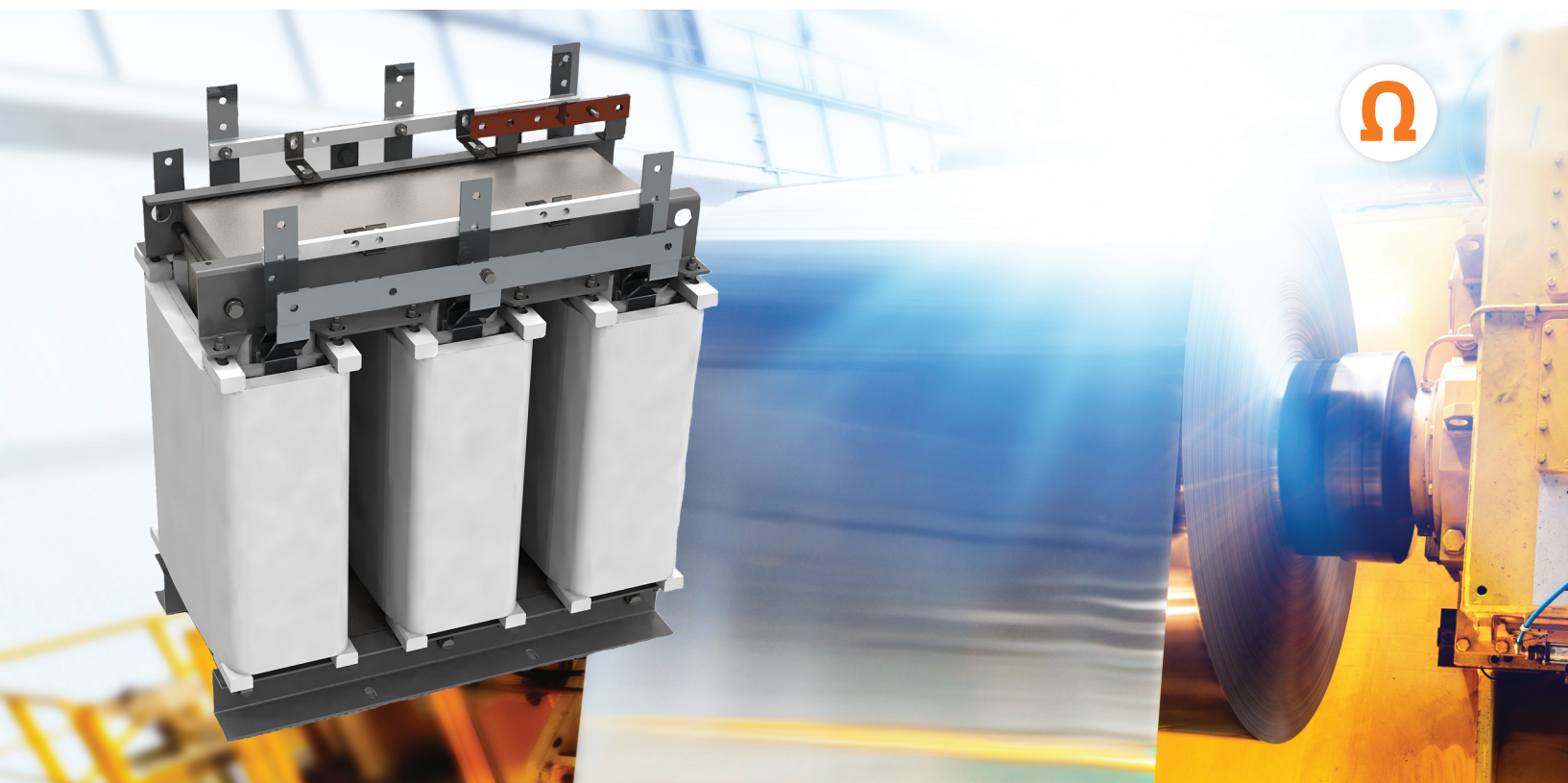
The advanced design minimizes energy loss, making it a more sustainable choice.

Eco-friendly Production

Manufactured using methods that reduce environmental impact, with all materials recyclable.

Reliable & Durable

Built to withstand the harshest conditions while maintaining optimal efficiency.



NEW!

Power Transformers
3-PHASE, 6,3 - 1000kVA

Technical specifications

Power	6,3kVA - 1000kVA
Voltage	min 100V max 1000V
Frequency	50Hz
Standards	IEC 60076
Insulation	F
tamb	45°C
Relative humidity	95%, no condensation
Final location	<1000m
Connection typical	Dyn11 or Yyn
Enclosure (option)	IP23, sheet metal bolted side panels
Cooling	AN
Surface	Alzn
Cable income; sides, bottom (without inserts)	

Terminals	Al or Cu
Noise	50dB / 1m
Inrush current	10-20x In
K-factor	1
Environment	E2
Fire class	F1
Options	Marine version + certifications, Stand still heaters, AF, ULc/ur, St - screen between Prim/Sec, Vibration dampers, Temp sensors PT100, Insulation monitor, Temp / load monitor, Painted housing RAL xxx, Inrush current limiting, Other connections, Other voltages max 3300V, Other IP housings, K-factor = 4, 13 or 20.

Power kVA	Po/W	Pk/W	Uk/%	Io/%
6,3	69	362	4,4	13,2
8	85	417	4,0	12,8
10	92	416	4,0	10,7
12,5	108	545	4,0	10,2
16	118	616	3,6	8,4
20	132	683	3,3	6,8
25	154	871	3,8	6,4
31,5	194	921	3,2	6,5
40	267	988	2,7	6,6
50	291	1122	2,4	5,4
63	316	1368	2,3	4,4
80	407	1911	3,3	3,6
100	420	2330	3,3	2,9
125	658	2402	2,3	3,1
160	718	3330	2,4	2,6
200	973	3551	2,8	3,5
250	1073	3833	2,9	3,4
315	1252	4576	3,3	2,8
400	1318	5493	6,0	2,2
500	1454	7586	5,7	1,9
630	1884	7782	4,3	1,2
800	3140	8838	3,7	2,4
1000	3279	10407	5,8	1,9

Muutosähkö

Trafox is a brand of Muutosähkö Oy. We develop, manufacture and customise high-quality transformers, chokes, filters and Trafox Superintend® monitoring devices for a large number of applications.

MUUNTOSÄHKÖ OY TRAFIX

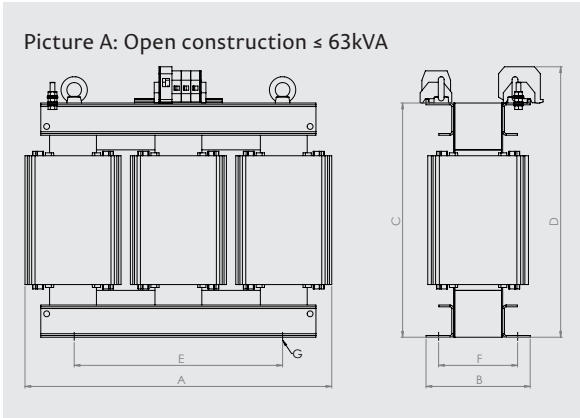
P.O. Box 10 | FI-00621 Helsinki | Tel. +358 207 933 700 | Fax +358 207 933 746 | sales@trafox.fi



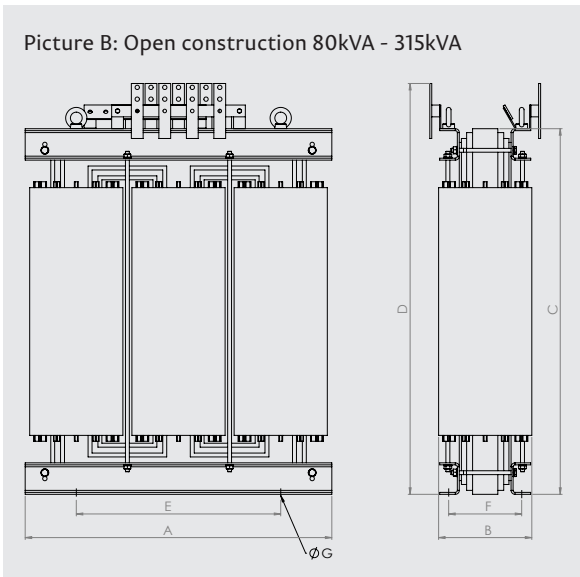
www.trafox.fi

Mechanical data

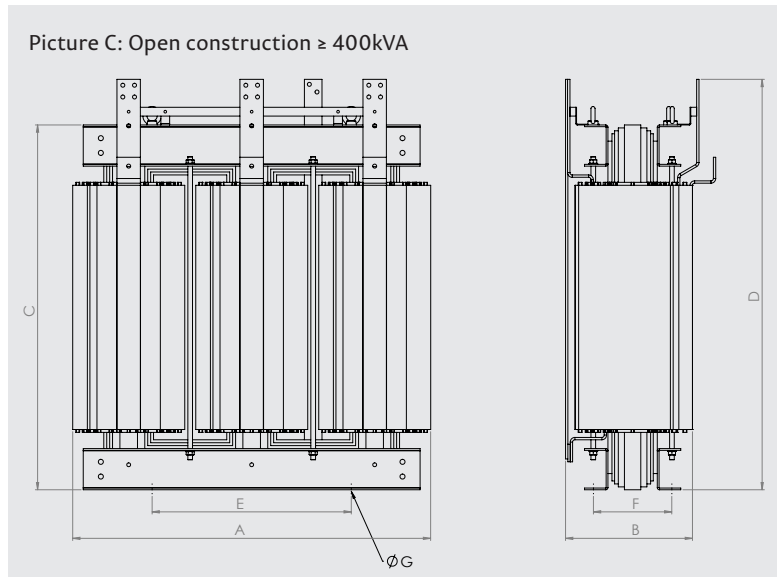
Picture A: Open construction ≤ 63kVA



Picture B: Open construction 80kVA - 315kVA



Picture C: Open construction ≥ 400kVA

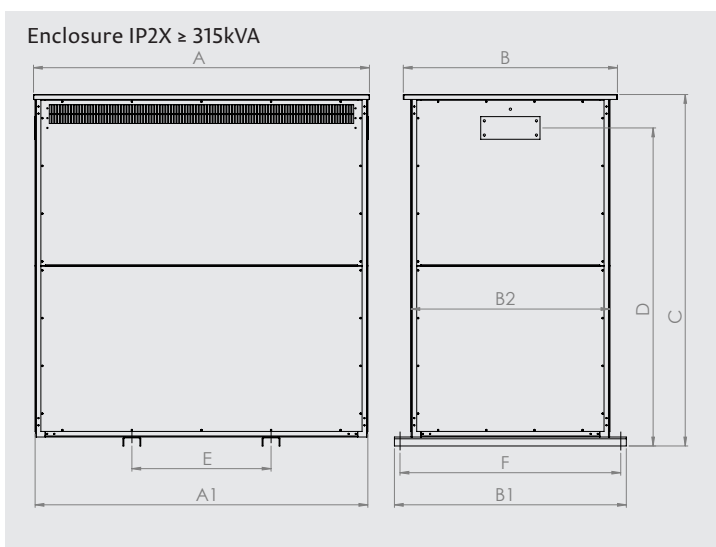
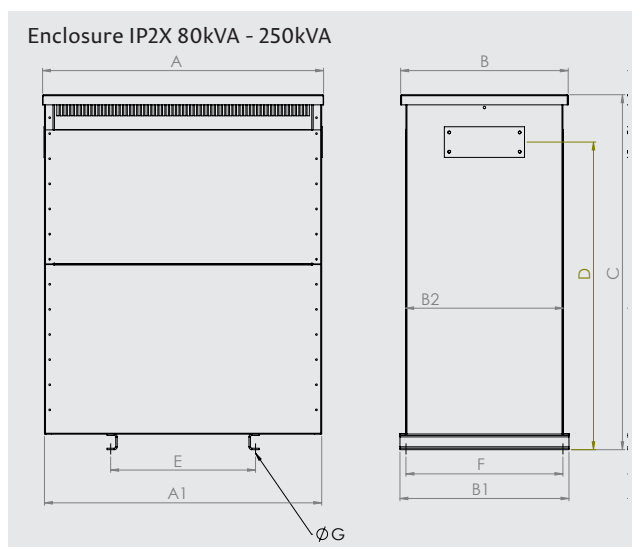
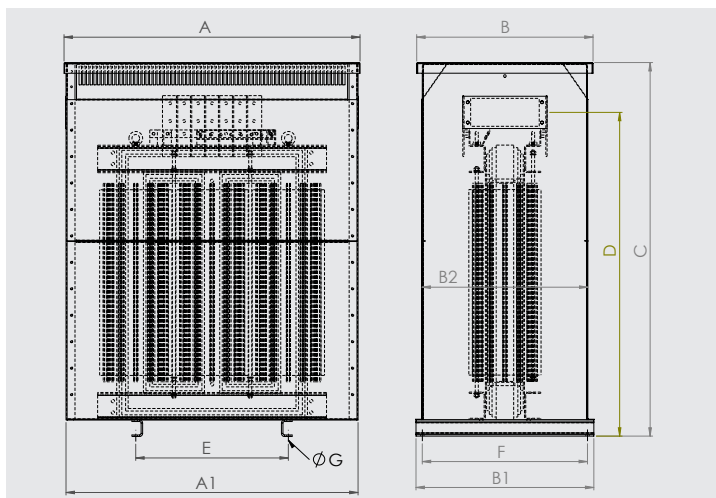
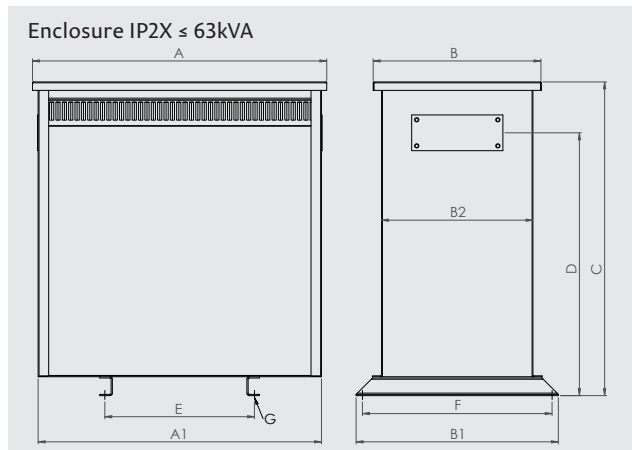


Open construction - Vertical model

Order code	Power / kVA	A* (mm)	B* (mm)	C (mm)	D* (mm)	E (mm)	F (mm)	G (mm)	Al* kg	Fe kg	Weight* kg	Picture
3PTA-	6,3	390	141	300	350	264	106	11x20	7	40	48	A
3PTA-	8	391	141	320	370	264	106	11x20	8	42	52	A
3PTA-	10	445	166	310	365	316	131	11x20	9	54	65	A
3PTA-	12,5	446	183	310	365	316	148	11x20	10	64	76	A
3PTA-	16	450	185	320	375	316	155	11x20	12	70	83	A
3PTA-	20	455	195	340	395	316	165	11x20	15	79	95	A
3PTA-	25	525	180	400	465	356	135	11x20	19	90	110	A
3PTA-	31,5	525	200	400	475	356	155	11x20	21	109	131	A
3PTA-	40	530	240	400	473	356	195	11x20	24	149	175	A
3PTA-	50	530	240	460	538	356	195	11x20	31	165	198	A
3PTA-	63	530	240	560	637	356	195	11x20	40	193	235	A
3PTA-	80	710	230	740	855	460	160	13	63	240	308	B
3PTA-	100	710	230	800	915	460	160	13	72	255	332	B
3PTA-	125	780	240	930	1045	520	186	13	65	392	465	B
3PTA-	160	780	240	1100	1270	600	186	13	85	541	657	B
3PTA-	200	900	280	950	1120	600	222	13	102	544	737	B
3PTA-	250	900	280	1080	1275	600	222	13	122	603	737	B
3PTA-	315	1020	317	1040	1195	680	265	17	154	720	833	B
3PTF-	400	1240	437	1040	1195	680	260	18x30	266	789	1071	C
3PTF-	500	1230	437	1240	1395	680	260	18x30	270	892	1180	C
3PTF-	630	1330	468	1300	1470	780	285	17x35	300	1294	1620	C
3PTF-	800	1440	535	1360	1525	780	330	17x35	265	1852	2155	C
3PTF-	1000	1715	620	1360	1525	780	370	23x45	450	2080	2625	C

*) depends of the voltages

Mechanical data



Enclosure IP2X - Vertical model

Order code	Power / kVA	A (mm)	A1 (mm)	B (mm)	B1 (mm)	B2 (mm)	C (mm)	D (mm)	E (mm)	F (mm)	G (mm)	Al* kg	Fe kg	Weight* kg
3KPTA-	6,3	520	515	340	335	303	530	430	316	305	11x20	7	50	58
3KPTA-	8	520	515	340	335	303	530	430	316	305	11x20	8	52	61
3KPTA-	10	595	573	400	481	360	647	525	316	451	11x20	9	68	78
3KPTA-	12,5	595	573	400	481	360	647	525	316	451	11x20	10	78	89
3KPTA-	16	595	573	400	481	360	647	525	316	451	11x20	12	84	97
3KPTA-	20	595	573	400	481	360	647	525	316	451	11x20	15	93	109
3KPTA-	25	700	675	400	481	360	745	625	356	451	11x20	19	114	131
3KPTA-	31,5	700	675	400	481	360	745	625	356	451	11x20	21	133	154
3KPTA-	40	700	675	400	481	360	745	625	356	451	11x20	24	173	197
3KPTA-	50	700	675	500	570	460	935	810	356	570	11x20	31	188	220
3KPTA-	63	700	675	500	570	460	935	810	356	570	11x20	40	216	257
3KTA23-	80	925	900	550	560	510	1075	880	430	510	13	63	296	359
3KTA23-	100	925	900	550	560	510	1075	880	430	510	13	72	311	383
3KTA23-	125	1165	1150	695	700	655	1470	1275	520	650	13	65	485	550
3KTA23-	160	1165	1150	695	700	655	1470	1275	520	650	13	85	544	629
3KTA23-	200	1165	1150	695	700	655	1470	1275	600	650	13	102	637	739
3KTA23-	250	1165	1150	695	700	655	1470	1275	600	650	13	122	696	818
3KTF23-	315	1485	1465	1000	1050	915	1715	1500	680	995	18x30	154	899	1053
3KTF23-	400	1485	1465	1000	1050	915	1715	1500	680	995	18x30	266	968	1234
3KTF23-	500	1485	1465	1000	1050	915	1715	1500	680	995	18x30	270	1071	1341
3KTF23-	630	1735	1715	1050	1100	965	1815	1525	780	1047	18x30	300	1501	1801
3KTF23-	800	1885	1865	1200	1300	1115	1970	1780	780	1237	22x32	265	2094	2359
3KTF23-	1000	1885	1865	1200	1300	1115	1970	1780	780	1237	22x32	450	2322	2772

*) depends of the voltages

Muuntosähkö Oy – Trafox reserves the right to modify product specifications and dimensions without prior notice.
All information in this document is non-binding and subject to change.