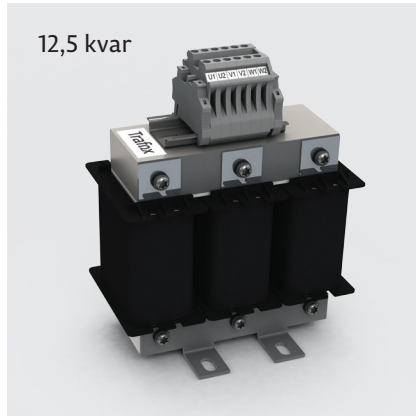


Detuned Reactors

525V SERIES, TYPE 3INPP7



REACTOR SERIES FOR HARMONIC FILTERING

- High quality materials
- Design optimised to reduce total losses
- Small mechanical size
- Low noise level due to the glued air gaps

Technical specifications

Standards	IEC60289, IEC60076, VDE 0532, UL/Ur file E202612, RoHs, CE
Design	Ironcore multiple airgap, low loss grain oriented steel
Tolerance, Inductance	-3/+3%
Linearity/%	1,75 x I _n 95% inductance
Insulation level	4 kVac
Temperature class	F 155 °C 6,25-12,5 kvar / H 180 °C 25-75 kvar
Cooling	Natural cooling

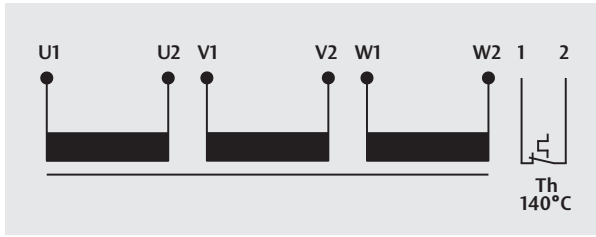
Ambient temperature	- 20 ... +60 °C T60
Protection class	IP00
Installation	Screw fastening
Color	Light brown or black
Noise level	Max. 50 dB with rated harmonics currents at 1 m distance

Optional	<ul style="list-style-type: none"> • Temperature switch 130-150 °C +-5%, 250 Vac (<6,3A)..500 Vac (<2A) • Stranded wire outputs (flexible cable 110 °C) • Lateral mounting
-----------------	---

Filtering factor f_{res} 189Hz P7

Used for rated capacitors Q/kvar	Net		L/mH	I ₅₀ /A	I ₁₅₀ /A	I ₂₅₀ /A	I ₃₅₀ /A	I _{rms} /A	Linearity / %	Loss / W	Cu / Al Weight (kg)
	U/V	f/Hz									
6,25	525	50	20,60	10,70	0,36	3,64	1,31	8,04	175	51,5	Cu 1,75
12,5	525	50	5,28	21,40	0,73	7,27	2,62	16,08	175	85	Cu 2,77
25	525	50	2,64	42,90	1,47	14,50	5,23	32,16	175	122	Al 2,82
50	525	50	1,32	85,90	2,94	29,10	10,46	64,31	175	188	Al 4,46
75	525	50	0,88	129,00	4,41	43,60	15,70	96,47	175	229	Al 7,60
100	525	50	0,66	172,00	5,90	21,00	20,90	128,60	175	305	Al 6,25

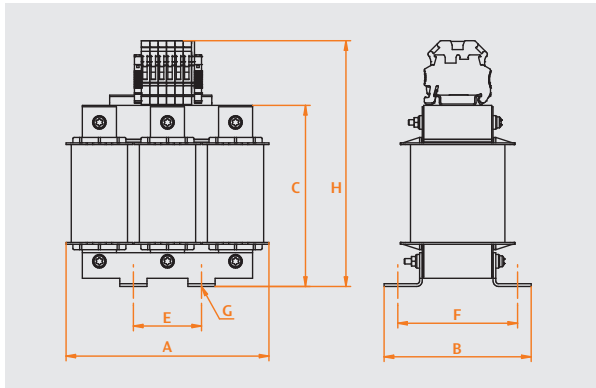
Connection diagram



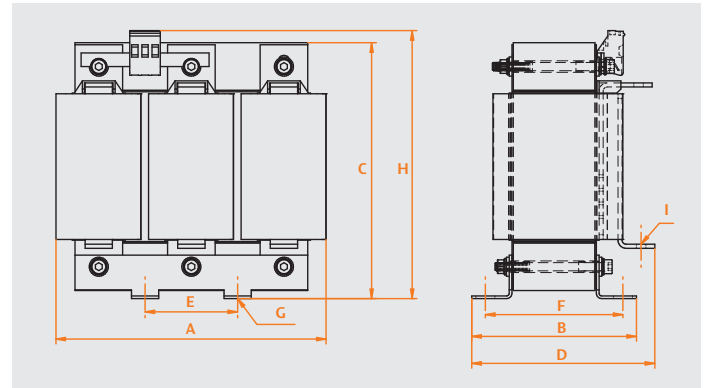
Terminals

Type	Terminals	Clamp size	Tightening torque / Nm
6,25-12,5	Screw terminals	6	2,5
25	Busbar	M6 flat	10
50	Busbar	M8 flat	10
75-100	Busbar	M10 flat	10

Mechanical data 6,25 - 12,5 kvar



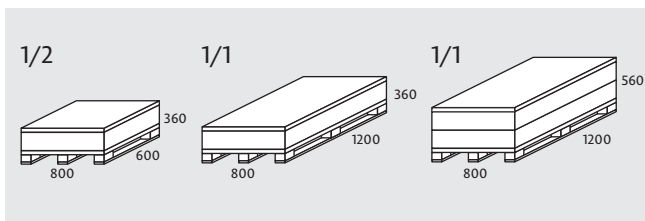
Mechanical data 25-100 kvar



Without temperature switch	With temperature switch	A (mm)	B (mm)	C (mm)	D (mm)	E (mm)	F (mm)	G (mm)	H (mm)	I (ø mm)	kg
Order code 189Hz											
3INPP7.6,25(525)	3INPP7T.6,25(525)	125	97	133	-	50	77	ø 7	184	-	5,54
3INPP7.12,5(525)	3INPP7T.12,5(525)	150	101	160	-	60	81	ø 7	210	-	7,80
3INPP7.25(525)	3INPP7T.25(525)	200	147	188	142	68	101	7,5 x 14	197	?	15,80
3INPP7.50(525)	3INPP7T.50(525)	256	140	232	154	88	120	7,5 x 14	237	?	27,00
3INPP7.75(525)	3INPP7T.75(525)	256	146	290	168	88	134	7,5 x 14	295	?	37,60
3INPP7.100(525)	3INPP7T.100(525)	340	170	322	200	150	134	7,5 x 14	-	?	56,00

Tolerance norm: EN 22768-1 C

Packing details



Type (189Hz)	pcs / 1/2 pallet	pcs / 1/1 pallet	Height
6,25	30	55	360
12,5	20	40	360
25	-	18	360
50	-	14	560
75-100	-	10	560

Muuntosähkö

Trafox is a brand of Muuntosähkö Oy. We develop, manufacture and customise high-quality transformers, chokes, filters and Trafox Superintend® monitoring devices for a large number of applications.

MUUNTOSÄHKÖ OY TRAFIX
P.O. Box 10 | FI-00621 Helsinki | Tel. +358 207 933 700 | sales@trafox.fi



www.trafox.fi