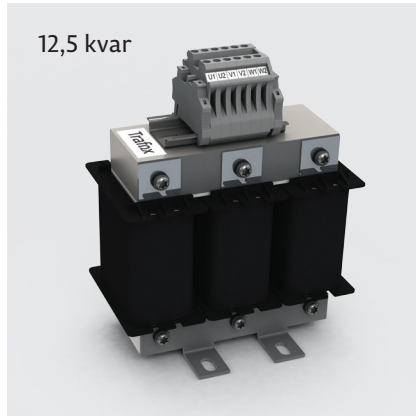


## Detuned Reactors

### 525V SERIES, TYPE 3INPP5,67



#### REACTOR SERIES FOR HARMONIC FILTERING

- High quality materials
- Design optimised to reduce total losses
- Small mechanical size
- Low noise level due to the glued air gaps

#### Technical specifications

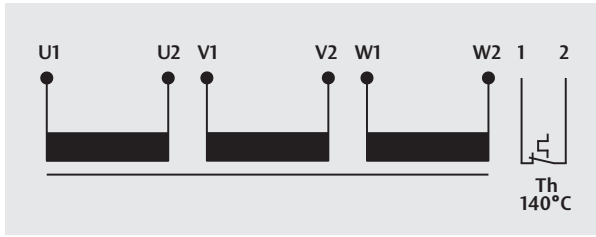
<b>Standards</b>	IEC60289, IEC60076, VDE 0532, UL/Ur file E202612, RoHs, CE
<b>Design</b>	Ironcore multiple airgap, low loss grain oriented steel
<b>Tolerance, Inductance</b>	-3/+3%
<b>Linearity/%</b>	1,75 x I <sub>n</sub> 95% inductance
<b>Insulation level</b>	4 kVac
<b>Temperature class</b>	F 155 °C 6,25-12,5 kvar / H 180 °C 25-75 kvar
<b>Cooling</b>	Natural cooling

<b>Ambient temperature</b>	- 20 ... +60 °C T60
<b>Protection class</b>	IP00
<b>Installation</b>	Screw fastening
<b>Color</b>	Light brown or black
<b>Noise level</b>	Max. 50 dB with rated harmonics currents at 1 m distance

<b>Optional</b>	<ul style="list-style-type: none"> <li>• Temperature switch 130-150 °C +-5%, 250 Vac (&lt;6,3A)..500 Vac (&lt;2A)</li> <li>• Stranded wire outputs (flexible cable 110 °C)</li> <li>• Lateral mounting</li> </ul>
-----------------	---

Filtering factor $f_{res}$ 210Hz P5,67											
Used for rated capacitors Q/kvar	Net		L/mH	I <sub>50</sub> /A	I <sub>150</sub> /A	I <sub>250</sub> /A	I <sub>350</sub> /A	I <sub>rms</sub> /A	Linearity / %	Loss / W	Cu / Al Weight (kg)
	U/V	f/Hz									
6,25	525	50	8,44	10,70	0,28	6,62	1,81	8,98	175	49	Cu 1,75
12,5	525	50	4,22	21,48	0,56	13,24	3,62	17,96	175	88	Cu 2,77
25	525	50	2,11	42,90	1,28	26,50	7,25	36,00	175	136	Al 2,82
50	525	50	1,06	85,90	2,25	53,00	14,50	69,30	175	190	Al 4,46
75	525	50	0,70	108,00	3,38	79,90	21,70	108,00	175	277	Al 7,60
100	525	50	0,53	5,67	4,50	105,00	29,00	143,00	175	376	Al 6,25

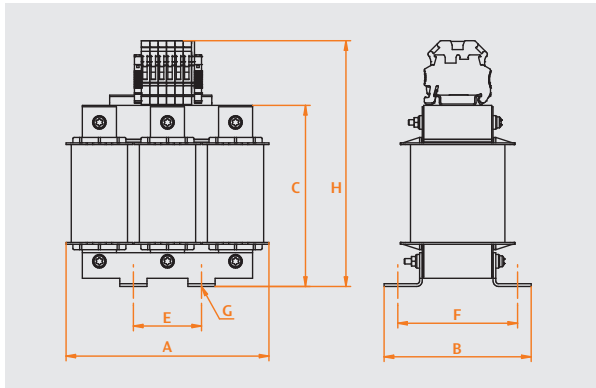
## Connection diagram



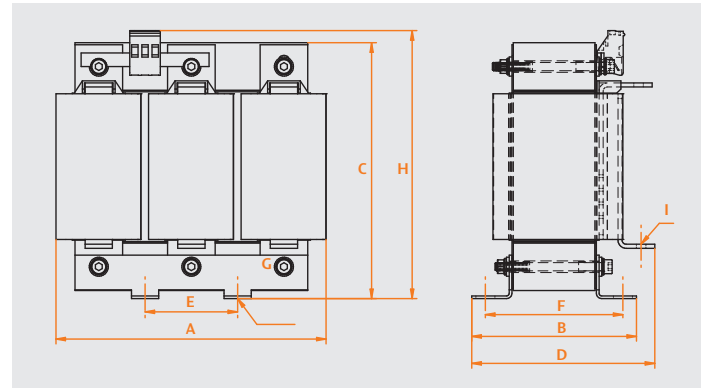
## Terminals

Type	Terminals	Clamp size	Tightening torque / Nm
6,25-12,5	Screw terminals	6	2,5
25	Busbar	M6 flat	10
50	Busbar	M8 flat	10
75-100	Busbar	M10 flat	10

## Mechanical data 6,25 - 12,5 kvar



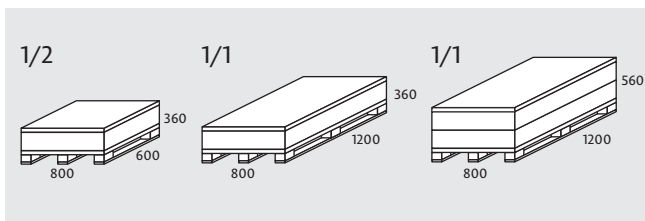
## Mechanical data 25-100 kvar



Without temperature switch	With temperature switch	A (mm)	B (mm)	C (mm)	D (mm)	E (mm)	F (mm)	G (mm)	H (mm)	I (ø mm)	kg
Order code 210Hz											
3INPP5,67.6,25(525)	3INPP5,67T.6,25(525)	125	97	133	-	50	77	7,5 x 14	184	-	5,65
3INPP5,67.12,5(525)	3INPP5,67T.12,5(525)	150	111	160	-	60	91	?	210	?	9,00
3INPP5,67.25(525)	3INPP5,67T.25(525)	200	131	188	145	68	111	7,5 x 14	197	?	18,60
3INPP5,67.50(525)	3INPP5,67T.50(525)	256	154	232	168	88	134	7,5 x 14	237	?	29,70
3INPP5,67.75(525)	3INPP5,67T.75(525)	256	154	292	168	88	134	7,5 x 14	297	?	38,50
3INPP5,67.100(525)	3INPP5,67T.100(525)	382	168	322	?	?	?	7,5 x 14	326	?	55,60

Tolerance norm: EN 22768-1 C

## Packing details



Type (189Hz)	pcs / 1/2 pallet	pcs / 1/1 pallet	Height
6,25	30	55	360
12,5	20	40	360
25	-	18	360
50	-	14	560
75-100	-	10	560

# Muuntosähkö

Trafox is a brand of Muuntosähkö Oy. We develop, manufacture and customise high-quality transformers, chokes, filters and Trafox Superintend® monitoring devices for a large number of applications.

MUUNTOSÄHKÖ OY TRAFÖX  
P.O. Box 10 | FI-00621 Helsinki | Tel. +358 207 933 700 | sales@trafox.fi



www.trafox.fi