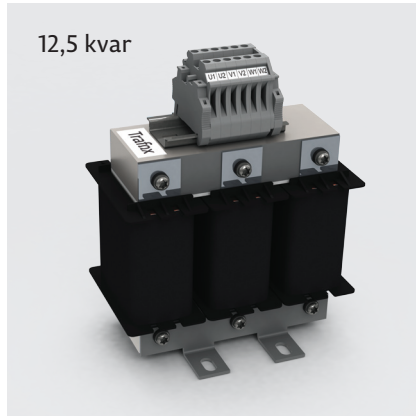


Detuned Reactors

415V SERIES, TYPE 3INPP



REACTOR SERIES FOR HARMONIC FILTERING

- High quality materials
- Design optimised to reduce total losses
- Small mechanical size
- Low noise level due to the glued air gaps

Technical specifications

Standards	IEC60289, IEC60076, VDE 0532, UL/Ur file E202612, RoHs, CE
Design	Ironcore multiple airgap, low loss grain oriented steel
Tolerance, Inductance	-3/+3%
Linearity/%	1,75 x I _n 95% inductance
Insulation level	4 kVac
Temperature class	F 155 °C 12,5 kvar / H 180 °C 25-100 kvar
Cooling	Natural cooling

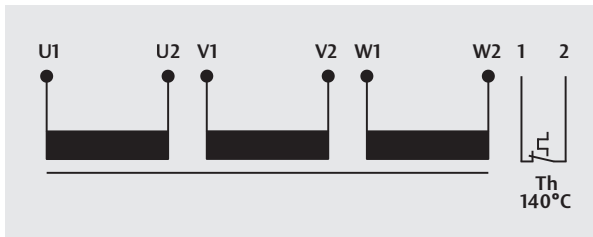
Ambient temperature	- 20 ... +60 °C T60
Protection class	IP00
Installation	Screw fastening
Color	Light brown or black
Noise level	Max. 50 dB with rated harmonics currents at 1 m distance

Optional	<ul style="list-style-type: none"> • Temperature switch 130-150 °C +-5%, 250 Vac (<6,3A)..500 Vac (<2A) • Stranded wire outputs (flexible cable 110 °C) • Lateral mounting
-----------------	---

Filtering factor f_{res} 189Hz P7

Used for rated capacitors Q/kvar	Net		L/mH	I ₅₀ /A _p	I ₁₅₀ /A _p	I _{250p} /A _p	I ₃₅₀ /A _p	I _{rms} /A	Linearity / %	Loss / W	Cu / Al Weight (kg)
	U/V	f/Hz									
12,5	415	50	3,30	27,20	0,90	9,20	3,30	20,34	175	98	Cu 1,79
25	415	50	1,65	54,30	1,80	18,40	6,60	40,60	175	129	Al 2,31
50	415	50	0,83	109,00	3,70	37,00	13,20	81,00	175	160	Al 4,77
100	415	50	0,41	217,00	7,40	73,50	26,50	163,00	175	320	Al 6,40

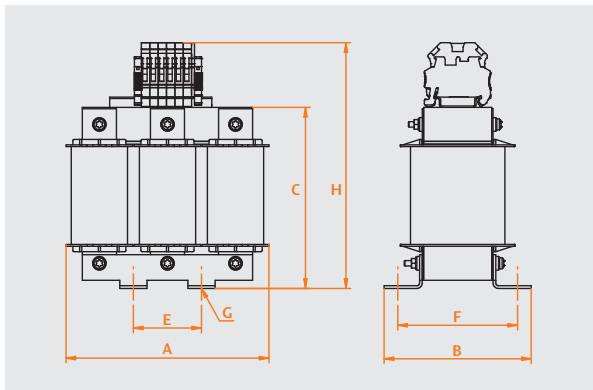
Connection diagram



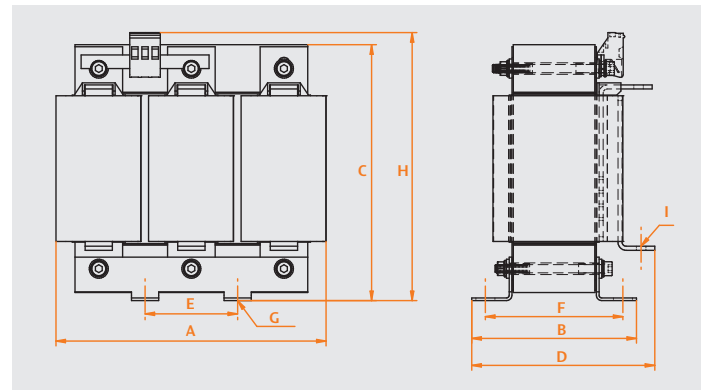
Terminals

Type	Terminals	Clamp size	Tightening torque / Nm
12,5	Screw terminals	6	2,5
25	Busbar	M6 flat	10
50	Busbar	M8 flat	10
100	Busbar	M10 flat	10

Mechanical data 12,5 kvar



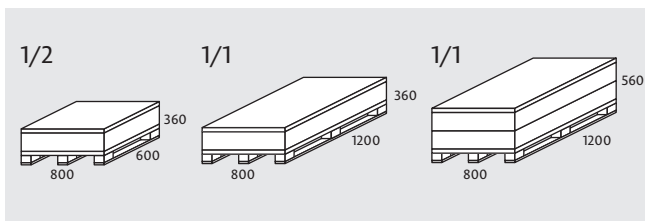
Mechanical data 25–100 kvar



Without temperature switch	With temperature switch	A (mm)	B (mm)	C (mm)	D (mm)	E (mm)	F (mm)	G (mm)	H (mm)	I (ø mm)	kg
Order code 189Hz											
3INPP7.12.5(415V)	3INPP7T.12.5(415V)	150	101	160	-	60	81	7,5 x 14	210	-	9,80
3INPP7.25(415V)	3INPP7T.25(415V)	200	121	201	135	68	108	7,5 x 14	205	7	18,30
3INPP7.50(415V)	3INPP7T.50(415V)	256	140	232	154	88	120	7,5 x 14	237	9	27,50
3INPP7.100(415V)	3INPP7T.100(415V)	256	170	300	200	88	139	11 x 20	-	11	47,60

Tolerance norm: EN 22768-1 C

Packing details



Type (189Hz)	pcs / 1/2 pallet	pcs / 1/1 pallet	Height
12,5	20	40	360
25	-	18	360
50	-	14	560
100	-	10	560

Muuntosähkö

Trafox is a brand of Muuntosähkö Oy. We develop, manufacture and customise high-quality transformers, chokes, filters and Trafox Superintend® monitoring devices for a large number of applications.

MUUNTOSÄHKÖ OY TRAFIX

P.O. Box 10 | FI-00621 Helsinki | Tel. +358 207 933 700 | Fax +358 207 933 746 | sales@trafox.fi



www.trafox.fi