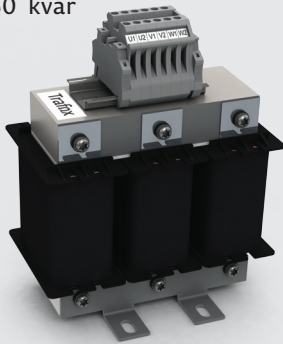


Shunt Reactors

400V SERIES, TYPE 3INPS

1 - 50 kvar



SHUNT REACTOR SERIES FOR HARMONIC FILTERING

designed to use when inductive load is needed or to compensate the capacitive power.

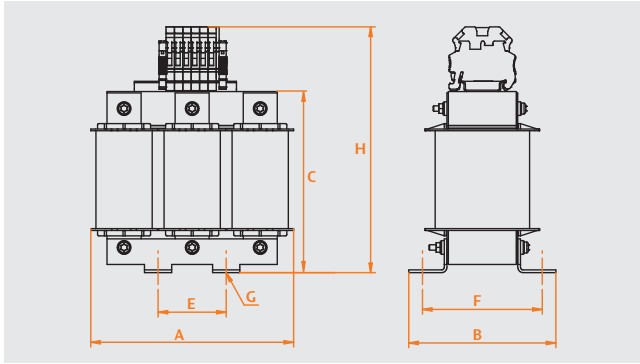
- Long underground power lines where is capacitive load
- Electronic energy saving lamps and ballast
- Computer centurms and big UPS systems

Technical specifications

Standards	EN61558-2-20, CE, RoHs, UL/Ur	Insulation class	F (155 °C)
Design	Ironcore multible airgap, Copper or Aluminium windings	Terminal	Screw terminal
Tolerance, Inductance	+/-5%	Connecting	Star connected
Phase	3 - phase	Protection class	IP00
Reactor factor	100%	Tamp	40 °C
Insulation test voltage	3KV	Protection	Temperature switch 130 °C +/-5%
		Color	Black or Light Brown

Used for rated capacitors Q/kvar	Net		L/mH	I _{rms} /A	Losses W
	U/V	f/Hz			
1	400	50	500	1,45	83
2,5	400	50	203	3,61	166
5	400	50	101	7,23	346
10	400	50	51	14,45	388
15	400	50	34	21,70	480
20	400	50	25	29,00	564
25	400	50	20	36,20	640
30	400	50	17	43,35	733
35	400	50	14,5	50,58	790
40	400	50	12,7	57,80	808
50	400	50	10	73,00	1017

Picture 1 - 50 kvar



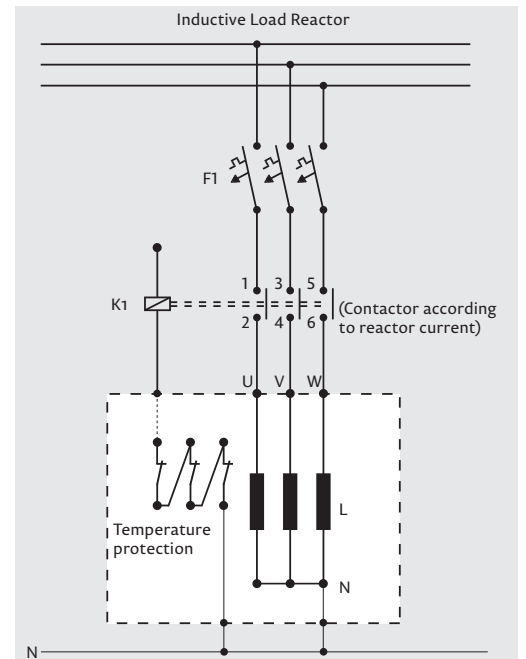
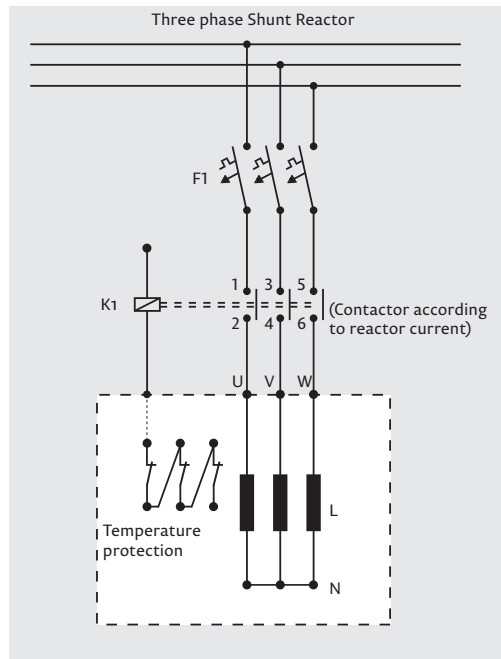
Terminals

Type	Terminals	Tightening torque / Nm
	Screw terminals	2,5-4N

Without temperature switch	A (mm)	B (mm)	C (mm)	E (mm)	F (mm)	H (mm)	G (mm)	kg/Al	kg/Fe	kg
3INPS1.400	220	100	215	200	69	235	10x20	2,66	6,00	9,00
3INPS2,5.400	220	128	195	200	98	235	10x20	5,30	11,00	18,80
3INPS5.400	250	140	290	200	110	340	11x20	5,30	16,00	23,00
3INPS10.400	300	146	443	224	126	495	11x20	8,50	34,00	45,00
3INPS15.400	300	156	479	224	136	495	11x20	9,30	54,00	69,00
3INP20.400	300	176	495	224	156	547	11x20	8,60	76,00	96,00
3INP25.400	350	176	495	264	156	547	11x20	12,20	78,00	100,00
3INP30.400	350	198	506	264	198	569	11x20	13,10	110,00	132,00
3INP35.400	400	218	481	316	188	532	11x20	16,00	118,00	148,00
3INP40.400	400	230	540	316	210	561	11x20	25,00	142,00	152,00
3INP50.400	400	240	540	316	220	561	11x20	17,00	169,00	200,00

Tolerance norm: EN 22768-1 C

Connection diagrams



Muuntosähkö

Trafox is a brand of Muuntosähkö Oy. We develop, manufacture and customise high-quality transformers, chokes, filters and Trafox Superintend® monitoring devices for a large number of applications.

MUUNTOSÄHKÖ OY TRAFIX

P.O. Box 10 | FI-00621 Helsinki | Tel. +358 207 933 700 | Fax +358 207 933 746 | sales@trafox.fi



www.trafox.fi