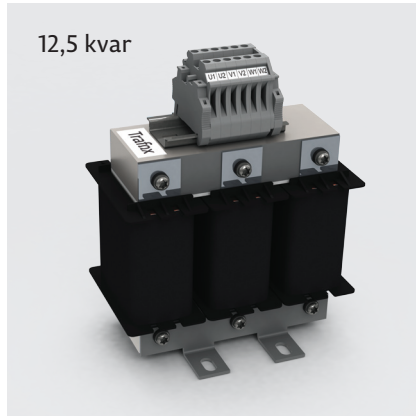


Detuned Reactors

400V SERIES, TYPE 3INPP7



REACTOR SERIES FOR HARMONIC FILTERING

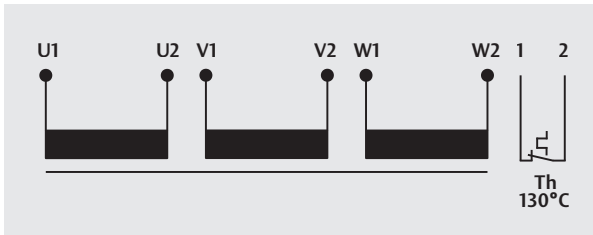
- High quality materials
- Design optimised to reduce total losses
- Small mechanical size
- Low noise level due to the glued air gaps

Technical specifications

| | | | |
|-------------------------------------|--|----------------------------|---|
| Standards | IEC60289, IEC60076, VDE 0532, UL/Ur file E202612, RoHs, CE | Ambient temperature | - 20 ... +60 °C T60 |
| Design | Ironcore multiple airgap, low loss core | Protection class | IP00 |
| Tolerance, Inductance | -3/+3% 3-phase average | Installation | Screw fastening |
| Linearity/% | 1,75 x I _n 95% inductance | Color | Light brown or black |
| Insulation level | 4 kVac | Noise level | Max. 50 dB with rated harmonics currents at 1 m distance |
| Insulation temperature class | 150 - 180 °C | Optional | <ul style="list-style-type: none"> • Temperature switch 130-150 °C +-5%, 250 Vac (<6,3A)..500 Vac (<2A) • Stranded wire outputs (flexible cable 110 °C) • Lateral mounting |
| Cooling | Natural cooling | | |

| Used for rated capacitors Q/kvar | Net | | L/mH | I ₅₀ /A _p | I ₁₅₀ /A _p | I ₂₅₀ /A _p | I ₃₅₀ /A _p | I _{rms} /A | Linearity / % | Loss P h tot | Cu / Al Weight (kg) |
|--|-----|------|------|---------------------------------|----------------------------------|----------------------------------|----------------------------------|---------------------|---------------|--------------|---------------------|
| | U/V | f/Hz | | | | | | | | | |
| Filtering factor f_{res} 189Hz P7 | | | | | | | | | | | |
| 6,25 | 400 | 50 | 6,14 | 14,09 | 0,48 | 4,77 | 1,71 | 10,55 | 175 | 38 | Cu 0,89 |
| 12,5 | 400 | 50 | 3,07 | 19,80 | 0,70 | 6,70 | 2,40 | 21,10 | 175 | 68 | Cu 1,45 |
| 25 | 400 | 50 | 1,53 | 39,70 | 1,40 | 13,40 | 4,80 | 42,20 | 175 | 105 | Al 1,83 |
| 30 | 400 | 50 | 1,28 | 67,67 | 2,32 | 22,89 | 8,24 | 50,65 | 175 | 176 | Al 4,36 |
| 50 | 400 | 50 | 0,77 | 79,40 | 2,80 | 26,80 | 9,60 | 84,40 | 175 | 192 | Al 4,52 |
| 60 | 400 | 50 | 0,64 | 135,00 | 4,63 | 45,79 | 16,48 | 101,29 | 175 | 229 | Al 4,82 |
| 75 | 400 | 50 | 0,51 | 169,18 | 5,79 | 57,25 | 20,60 | 126,61 | 175 | 340 | Al 5,70 |
| 90 | 400 | 50 | 0,43 | 203,02 | 6,95 | 68,70 | 24,73 | 151,94 | 175 | 393 | Al 8,33 |
| 100 | 400 | 50 | 0,38 | 225,58 | 7,73 | 76,32 | 27,47 | 168,82 | 175 | 408 | Al 10,20 |

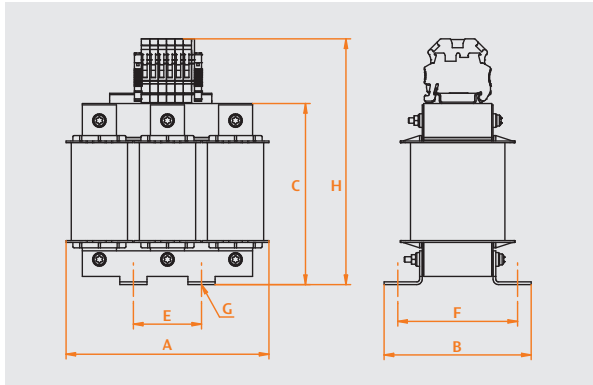
Connection diagram



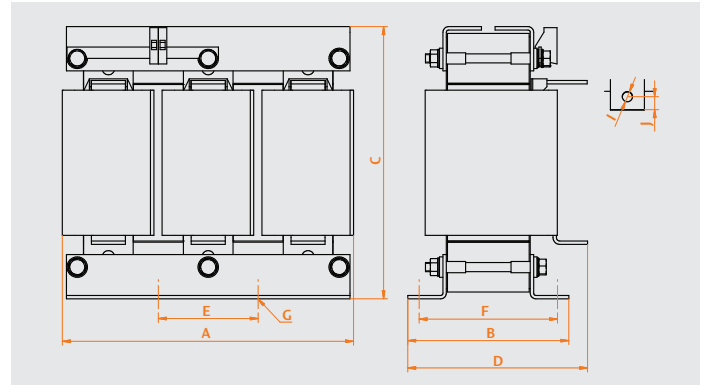
Terminals

| Type | Terminals | Clamp size | Tightening torque / Nm |
|-----------|-----------------|------------|------------------------|
| 6,25-12,5 | Screw terminals | 6 | 2,5 |
| 25 | Busbar | M6 flat | 10 |
| 30-50 | Busbar | M8 flat | 10 |
| 60-100 | Busbar | M10 flat | 10 |

Mechanical data 6,25–12,5 kvar



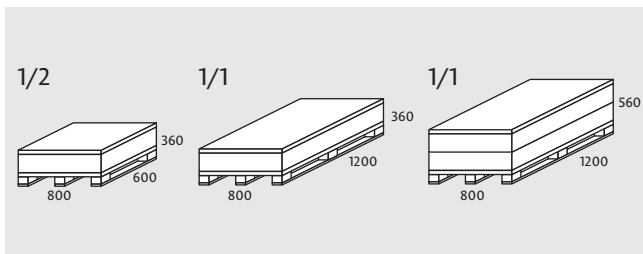
Mechanical data 25–75 kvar



| Without temperature switch | With temperature switch | A (mm) | B (mm) | C (mm) | D (mm) | E (mm) | F (mm) | G (mm) | H (mm) | I (ømm) | J (mm) | kg |
|----------------------------|-------------------------|--------|--------|--------|--------|--------|--------|--------|--------|---------|--------|-------|
| Order code 189Hz | | | | | | | | | | | | |
| 3INPP7.6,25 | 3INPP7T.6,25 | 125 | 97 | 133 | - | 50 | 77 | 7,5x14 | 184 | - | - | 4,80 |
| 3INPP7.12,5 | 3INPP7T.12,5 | 150 | 101 | 160 | - | 60 | 81 | 7,5x14 | 210 | - | - | 7,80 |
| 3INPP7.25 | 3INPP7T.25 | 200 | 121 | 201 | 135 | 68 | 108 | 7,5x14 | 205 | 7 | - | 13,50 |
| 3INPP7.30 | 3INPP7T.30 | 250 | 121 | 253 | 151 | 83 | 101 | 7,5x14 | 215 | 7 | - | 19,30 |
| 3INPP7.50 | 3INPP7T.50 | 256 | 142 | 240 | 160 | 88 | 122 | 7,5x14 | 237 | 9 | - | 26,00 |
| 3INPP7.60 | 3INPP7T.60 | 260 | 176 | 260 | 206 | 88 | 126 | 7,5x14 | 265 | 11 | - | 37,40 |
| 3INPP7.75 | 3INPP7T.75 | 300 | 170 | 300 | 200 | 100 | 139 | 11x20 | - | 11 | - | 42,00 |
| 3INPP7.90 | 3INPP7T.90 | 340 | 170 | 300 | 200 | 113 | 120 | 11x20 | - | 11 | - | 47,75 |
| 3INPP7.100 | 3INPP7T.100 | 350 | 170 | 300 | 200 | 113 | 120 | 11x20 | - | 11 | - | 50,00 |

Tolerance norm: EN 22768-1 C

Packing details



| Type (189Hz) | pcs / 1/2 pallet | pcs / 1/1 pallet | Height |
|--------------|------------------|------------------|--------|
| 6,25 | 30 | 55 | 360 |
| 12,5 | 20 | 40 | 360 |
| 25 | - | 18 | 360 |
| 30-50 | - | 14 | 560 |
| 60-75 | - | 10 | 560 |
| 90-100 | - | 6 | 560 |

Muuntosähkö

Trafox is a brand of Muuntosähkö Oy. We develop, manufacture and customise high-quality transformers, chokes, filters and Trafox Superintend® monitoring devices for a large number of applications.

MUUNTOSÄHKÖ OY TRAFIX

P.O. Box 10 | FI-00621 Helsinki | Tel. +358 207 933 700 | Fax +358 207 933 746 | sales@trafox.fi



www.trafox.fi