

## Detuned Reactors

### 400V SERIES, TYPE 3INPP14



25 kvar

#### REACTOR SERIES FOR HARMONIC FILTERING

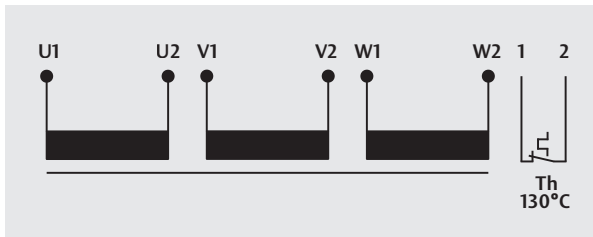
- High quality materials
- Design optimised to reduce total losses
- Small mechanical size
- Low noise level due to the glued air gaps

#### Technical specifications

<b>Standards</b>	IEC60289, IEC60076, VDE 0532, UL/Ur file E202612, RoHs, CE	<b>Ambient temperature</b>	- 20 ... +60 °C T60
<b>Design</b>	Ironcore multiple airgap, low loss core	<b>Protection class</b>	IP00
<b>Tolerance, Inductance</b>	-3/+3% 3-phase average	<b>Installation</b>	Screw fastening
<b>Linearity/%</b>	1,53 x I <sub>n</sub> 95% inductance	<b>Color</b>	Light brown or black
<b>Insulation level</b>	4 kVac	<b>Noise level</b>	Max. 50 dB with rated harmonics currents at 1 m distance
<b>Insulation temperature class</b>	150 - 180 °C	<b>Optional</b>	<ul style="list-style-type: none"> <li>• Temperature switch 130-150 °C +-5%, 250 Vac (&lt;6,3A)..500 Vac (&lt;2A)</li> <li>• Stranded wire outputs (flexible cable 110 °C)</li> <li>• Lateral mounting</li> </ul>
<b>Cooling</b>	Natural cooling		

Used for rated capacitors Q/kvar	Net		L/mH	I <sub>50</sub> /A <sub>p</sub>	I <sub>150</sub> /A <sub>p</sub>	I <sub>250</sub> /A <sub>p</sub>	I <sub>350</sub> /A <sub>p</sub>	I <sub>rms</sub> /A	Linearity / %	Loss P h tot	Al Weight (kg)
	U/V	f/Hz									
<b>Filtering factor f<sub>res</sub> 134Hz P14</b>											
25	400	50	2,93	39,70	3,60	4,40	2,10	40,60	153	158	4,19
30	400	50	2,75	67,67	3,14	6,90	3,18	47,92	153	202	7,09
50	400	50	1,46	79,40	7,20	8,80	4,30	80,00	153	255	7,90
60	400	50	1,37	135,00	6,30	12,80	6,36	95,85	153	313	10,50
75	400	50	1,10	169,00	7,85	16,00	7,95	119,80	153	366	14,16
90	400	50	0,92	203,00	9,50	19,20	9,55	144,00	153	436	17,80
100	400	50	0,82	255,00	10,46	21,36	10,61	159,20	153	449	21,20

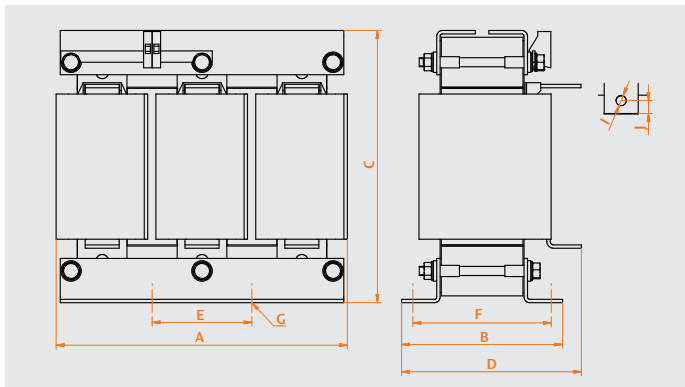
## Connection diagram



## Terminals

Type	Terminals	Clamp size	Tightening torque / Nm
25	Busbar	M6 flat	10
30-50	Busbar	M8 flat	10
60-100	Busbar	M10 flat	10

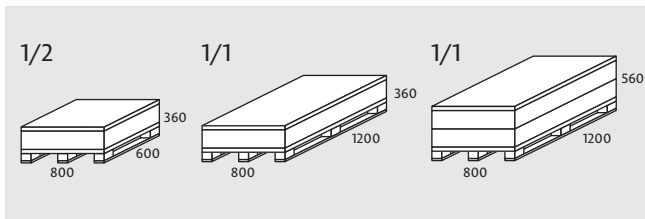
## Mechanical data 25–100 kvar



Without temperature switch	With temperature switch	A (mm)	B (mm)	C (mm)	D (mm)	E (mm)	F (mm)	G (mm)	H (mm)	I (ømm)	J (mm)	kg
Order code 134Hz												
3INPP14.25	3INPP14T.25	256	140	232	154	88	120	7,5x14	237	9	-	27,00
3INPP14.30	3INPP14T.30	270	140	250	154	100	139	11x20	-	11	-	35,60
3INPP14.50	3INPP14T.50	300	170	275	200	100	139	11x20	-	11	-	45,00
3INPP14.60	3INPP14T.60	350	182	270	212	110	143	11x20	-	11	-	59,10
3INPP14.75	3INPP14T.75	420	182	300	212	140	143	11x20	-	11	-	68,00
3INPP14.90	3INPP14T.90	460	182	300	212	153	143	11x20	-	11	-	77,00
3INPP14.100	3INPP14T.100	460	182	330	212	153	143	11x20	-	11	-	84,80

Tolerance norm: EN 22768-1 C

## Packing details



Type (134Hz)	pcs / 1/2 pallet	pcs / 1/1 pallet	Height
25	-	18	360
30-50	-	14	360
60-75	-	10	560
90-100	-	6	560

## Muuntosähkö

Trafox is a brand of Muuntosähkö Oy. We develop, manufacture and customise high-quality transformers, chokes, filters and Trafox Superintend® monitoring devices for a large number of applications.

MUUNTOSÄHKÖ OY TRAFIX

P.O. Box 10 | FI-00621 Helsinki | Tel. +358 207 933 700 | Fax +358 207 933 746 | sales@trafox.fi



www.trafox.fi